

LOTUS • TABLE LAMP
REF. 5918.25

WEIGHT

Net Weight: 9kg | 19.8 lbs
Gross Weight: 15kg | 33.1 lbs

BULBS

Quantity: 6
Type: G9
Wattage: 40W (max)

MATERIALS

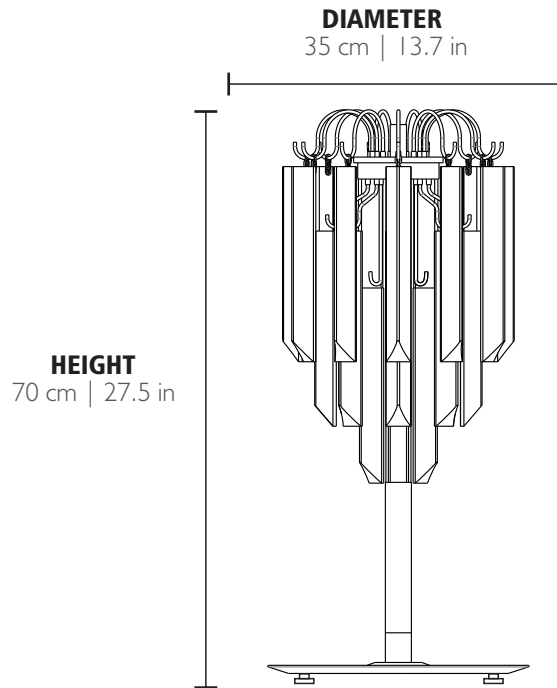
Body: Brass
Details: Glass

GLASS

Type: Clear

PACKING (approx.)

Dimensions: 44 x 44 x 73 cm
17.3 x 17.3 x 28.7 in
Volume: 0.14 m³ | 5 ft³



- ☐ - Products manufactured according the European norm of security EN 60 598-1.
- ⚠ - Products adjusted for instalation in surfaces normally inflammable.
- ☐ - Products of class II. The electric isolation is double or reinforced.
- ⚡ - Products with the possibility of instalation of low-energy consumption bulbs.

PRODUCT FINISHES & COSTUMIZATION OPTIONS



MORE FINISHES AVAILABLE HERE:
[CLICK HERE](#)